

KATAOKA

# Rustproof-Series

We understand because we are experts  
Anti-rust peripheral devices and  
equipment designed for washing machines.

## Prevent problems from rust



**Broken  
down**

- All rusted up!
- The line stopped again!

**Repair**

- Have to change out the filter again!



Mist collector designed for washing machines

### Joh-Kigen (Steam Mist Collector) SC-200, 400

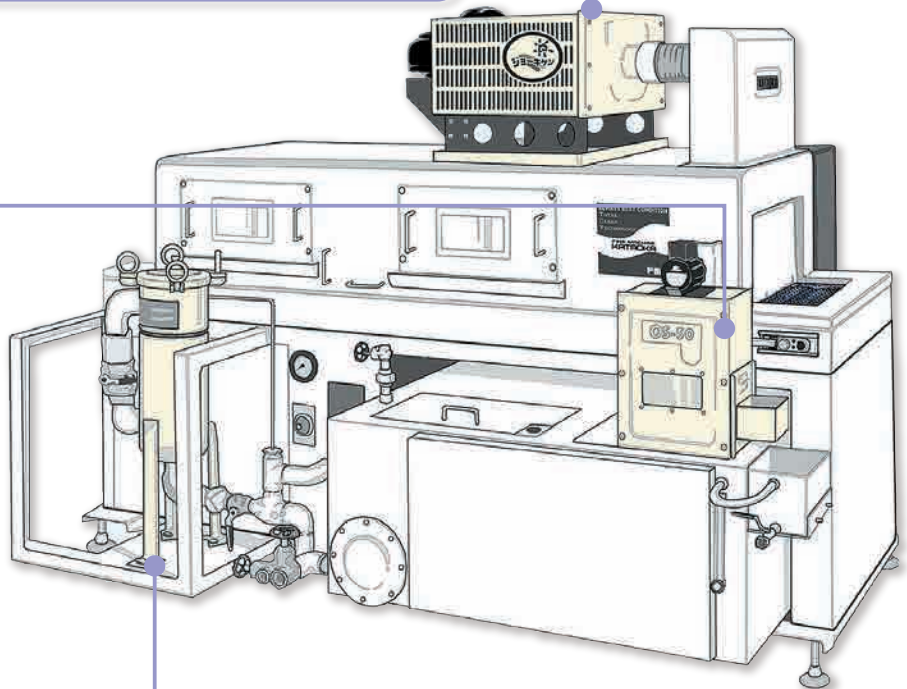
Anti-rust stainless steel body.  
Stainless steel design, including the filter,  
to make maintenance easy.  
This collector can collect more mist than  
ever before. [▶To page 23](#)



### All stainless steel oil catcher OS-Series 30, 50, 100

All stainless steel.  
The stainless steel belt offers excellent oil  
separation and makes it highly durable and  
resistant to corrosion and rust.

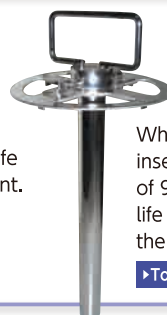
[▶To page 24](#)



### Bag filter FBF-0101

The bag filter offers safe  
and simple replacement.

[▶To page 23](#)



### Magnet insert Tetsujiroh (Powerful Magnet Insert) BMT-900

When equipped with the powerful  
magnet insert Tetsujiroh featuring a magnetic  
field of 9,000 gauss, it dramatically extends  
the life of the filter and significantly improves  
the washing performance as well.

[▶To page 24](#)